

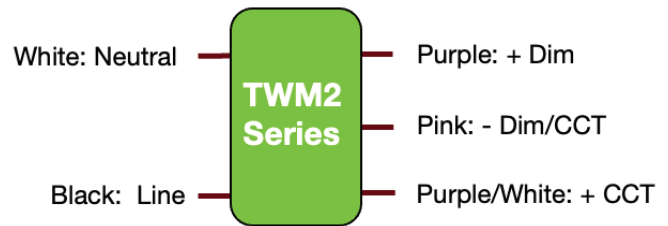
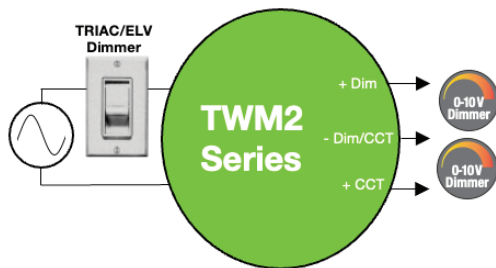
Universal AC Input Tunable White LED Modules with Tri-Mode Dimming™ (TRIAC, ELV & 0-10 V)

Input Voltage	Max. Source Lumens	Typ. Input Power	CCT Range	CRI	Dimming Method	Dimming Range
120 - 277 Vac	2600 lm	26.5 W	1800 - 6500 K	90+	TRIAC, ELV, & 0-10 V	1-100%



TWM2 (with Diffuser Lens)

Light Emitting Surface: 32 mm
Diameter: 65 mm (2.56 in)
Height: 20.5 mm (0.81 in)



Wiring Diagram

KEY FEATURES

- Integrated AC to DC driver electronics
- 3 modes of operation: Tunable white, Static White, Warm Dim
- Designed for field replacability
- Approved for use as thermal cutout for fixture per UL1598
- Configure Light output with Max-Trim; Configure Tunable CCT range with CCT-Trim
- Warm dim ranges:
3050–1800 K (MR16 Halogen profile)
2700–1800 K (Incandescent profile)
- CA Title 24, IEEE 1789-2015, & Energy Star Compliant
- Color consistency of < 3 step (2 step typical) MacAdam ellipse
- Available with or without Diffuser Options
- Available with or without Bluetooth Options
- Dim-to-off capability (when used with 0-10 V dimmer)
- Bluetooth LE commissioning with the ERP Tunable White app (iOS)
- Front heat sink mounting
- On board thermal foldback
- Circadian Rhythm lighting support with a controller



ERP Tunable White
iOS App



Universal AC Input Tunable White LED Modules with Tri-Mode Dimming™ (TRIAC, ELV & 0-10 V)

1 - ORDERING INFORMATION

1.1 TWM2 - Tunable White LED Modules

TWM2-AA-LL-FO

1
2
3
4

1 - Light Emitting Surface	
Value	Meaning
32	32 mm

2 - Typical Source Lumens	
Value	Meaning
18	1800 lm
26	2600 lm

3 - Feature Tier	
Value	Meaning
E	Enhanced
P	Premium

4 - Optic Choice	
Value	Meaning
D	Diffuser
N	No Diffuser

1.2 Feature Tiers

Value	Feature					
	Static White	Tunable White	Warm Dim	Tri-mode Dimming	0-10 V Dim-To-Off	Bluetooth LE (BLE) Commissioning
E	✓	✓	✓	✓	✓	
P	✓	✓	✓	✓	✓	✓

1.3 Part Numbers

Part Number	LES (mm)	Typical Peak Lumens (lm)	Bluetooth LE (BLE) Commissioning	Diffuser
TWM2-32-26-EN	32	2600	No	No
TWM2-32-26-ED				Yes
TWM2-32-26-PN			Yes	No
TWM2-32-26-PD				Yes

Universal AC Input Tunable White LED Modules with Tri-Mode Dimming™ (TRIAC, ELV & 0-10 V)

1.3 AC Input Power Cables (Ordered Separately)

Description	Part Number
2-wire AC Input Power Cable Assembly for TWM2, Black/White, 400 mm, for North America	AC-TWM2-NA
2-wire AC Input Power Cable Assembly for TWM2, Black/White, 100 mm, for North America	AC-TWM2-NA-100
2-wire AC Input Power Cable Assembly for TWM2, Black/White, 413 mm, with quick disconnect, for North America	AC-TWM2-NAQD
2-wire AC Input Power Cable Assembly, Black/White, 400 mm, with quick disconnect and flyings leads, for North America	AC-NAQD-FL

1.4 DC Output Control Cables (Ordered Separately)

Description	Part Number
3-wire DC Output Control Cable Assembly for TWM2, Pink/Violet/Violet-White, 400 mm, for North America	DC-TWM2-NA

Note: See Section-4 for more details on the power and control cable assemblies for TWM2.

1.5 Accessories (Ordered Separately)

Description	Part Number
TWM Programming Tool with TWM2 Programming Cable	PROG-TWM2
TWM2 Programming Cable	PROG-TWM2-CBL
Reflector Holder for LEDiL Reflectors	HLDR-TWM2-LEDIL
Reflector Holder for Nata Reflectors	HLDR-TWM2-NATA

Universal AC Input Tunable White LED Modules with Tri-Mode Dimming™ (TRIAC, ELV & 0-10 V)

2 - OPERATIONAL SPECIFICATIONS

2.1 Electrical Specifications (@ 25 °C Ambient Temperature)

Specification	Units	Minimum	Typical	Maximum	Notes
Input Voltage Range	Vac	90	120, 277	305	-
Input Frequency Range	Hz	47	50/60	63	
Input Current	mA	-	-	250 mA @ 120 Vac 110 mA @ 277 Vac	
Power Factor		0.9	> 0.9		At nominal input voltage and 100% output
Total Harmonic Distortion (THD)	%	-	-	20 %	At nominal input voltage, and from 100% to 40% of rated lumen output
Inrush Current	A	Meets NEMA-410 requirements			At any point on the sine wave and 25 °C
Leakage Current	mA	-	-	0.32 mA @ 120 Vac 0.75 mA @ 277 Vac	Measured per IEC60950-1
Input Harmonics	Complies with IEC 61000-3-2 for Class C equipment				
Standby Power	mW	-	-	500 mW @ 120 Vac 1000 mW @ 277 Vac	During Dim-to-Off mode
Start Time	ms	-	≤ 300	500	± 25 ms

Universal AC Input Tunable White LED Modules with Tri-Mode Dimming™ (TRIAC, ELV & 0-10 V)

2 - OPERATIONAL SPECIFICATIONS

2.2 Photometric Specifications (@ 60 °C Substrate Temperature, T_s)

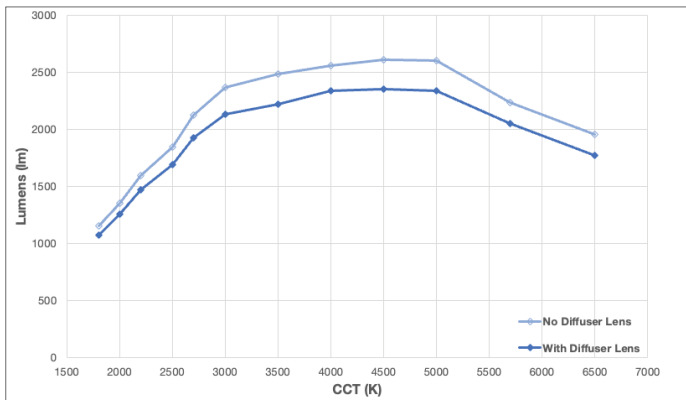
Specification	Range	Notes
Lumens	≤ 1800 lm ≤ 2600 lm	Listed light output and efficacy refers to light output from the source. Diffuser lenses and additional optics will affect final light output and efficacy. See page 6 for characterization charts.
Efficacy (LPW)	100 lm/W	
CCT (Tunable Range)	1800–6500K	
CCT (Warm Dim Range)	3050–1800 K (MR16 Halogen profile)	Warm Dim profile selectable via TWM programming tool or ERP TWM iOS app.
	2700–1800 K (Incandescent profile)	
CRI (Ra)	90+	2700–6000 K
CRI (R9)	50+	2700–6000 K
Nominal Color Consistency (Duv)	± 0.0033	< 3 step MacAdam ellipse (SDCM) at 100% output (2 step typical).
Lumen Maintenance	L70 (70% of initial lumens) at 50,000 hours at T _c ≤ 75°C.	
Flicker	Compliant with IEEE 1789-2015.	

Universal AC Input Tunable White LED Modules with Tri-Mode Dimming™ (TRIAC, ELV & 0-10 V)

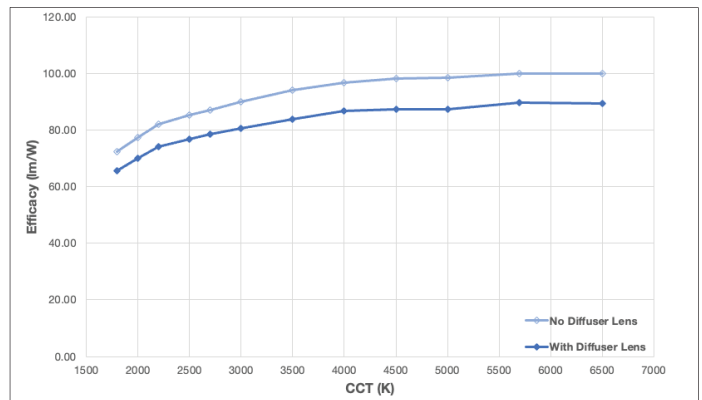
2 - OPERATIONAL SPECIFICATIONS

2.3 Lumen and Color Performance Data

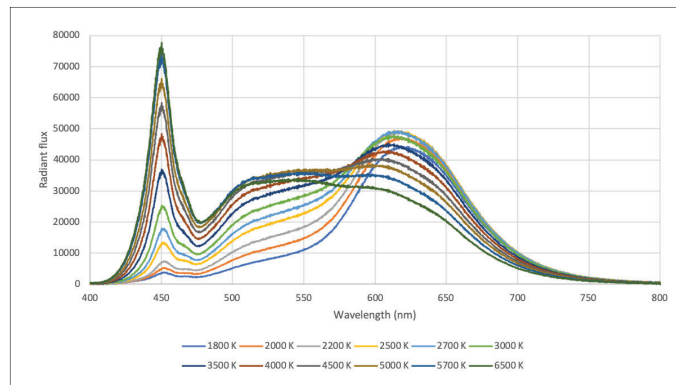
Typ. Lumen Output at Various CCT Points



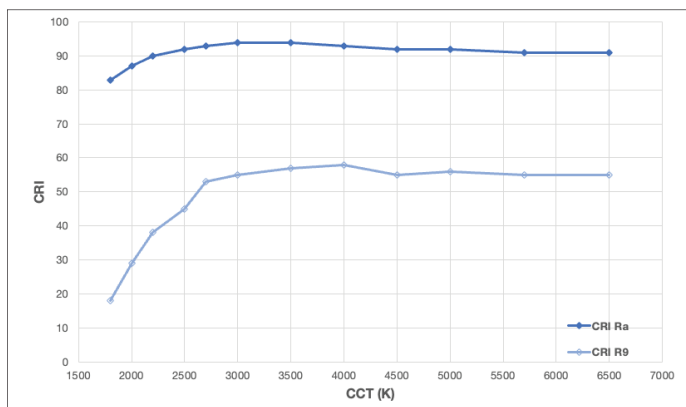
Typ. Efficacy (LPW) at Various CCT Points



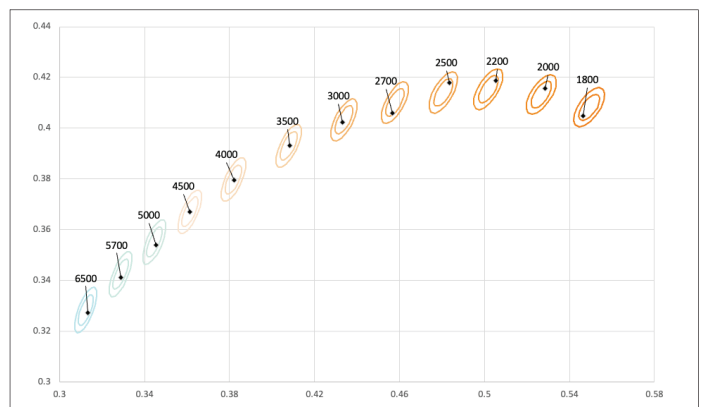
Spectral Power Data (SPD) at Various CCT Settings



CRI (Ra and R9) at Various CCT Points



12 Selectable CCT Points in the CIE 1931 Color Space



Universal AC Input Tunable White LED Modules with Tri-Mode Dimming™ (TRIAC, ELV & 0-10 V)

2 - OPERATIONAL SPECIFICATIONS

2.4 Environmental and Safety Specifications

Specification	Units	Minimum	Maximum	Notes
Operating Ambient Temperature (Ta)	°C	-20	40	
Maximum Case Temperature (Tc)	°C	-	90	
Maximum Substrate Temperature (Ts)	°C	-	95	
Storage Temperature	°C	-40	85	
Humidity	%	5	95	Non-condensing.
Acoustic Noise	dBA	-	24	Measured at a distance of 1 foot (30 cm): both forward and reverse phase AC phase-cut dimmers.

Specification	Notes
Mechanical Shock Protection	As per EN60068-2-27.
Vibration Protection	As per EN60068-2-6 & EN60068-2-64.
MTBF	> 200,000 hours when operated at nominal input conditions, and at $T_c < 75$ °C.
Driver Lifetime	50,000 hours at $T_c < 75$ °C maximum case hot spot temperature.
Conducted & Radiated EMI	Compliant with FCC CFR Title 47 Part 15 Class B at 120 Vac, Class A at 277 Vac.

Specification	Type	Standard	Notes
Harmonic Current Emissions	-	IEC 61000-3-2	For Class C equipment.
Immunity Compliance	ESD (Electrostatic Discharge)	IEC 61000-4-2	6 kV contact discharge, 8 kV air discharge, level 3.
	Electrical Fast Transient	IEC 61000-4-4	2 kV on AC power port for 1 minute, 1 kV on signal/control lines.
	Surge	IEC 61000-4-5	2 kV line to line (differential mode) / 1.5 kV line to common mode ground.
		ANSI/IEEE c62.41.1-2002 & c62.41.2-2002 category A, 2.5 kV ring wave.	
High Pot or Dielectric Voltage Withstand		2200 Vdc	Tested between 0–10 V leads and AC input.

Safety Agency	Notes
UL	UL recognized component
NEMA	SSL-1-2016
CA Title 24	Compliant
ENERGY STAR®	Compliant

Universal AC Input Tunable White LED Modules with Tri-Mode Dimming™ (TRIAC, ELV & 0-10 V)

2 - OPERATIONAL SPECIFICATIONS

2.5 Commissioning Protocols

Protocol	Dimming	CCT	Notes
0-10 V (CCT)	-	1800-6000 K	Operational CCT range can be adjusted/customized via the ERP Tunable White iOS app.
0-10 V (DIM)	100-1%	-	<ol style="list-style-type: none"> Option to set Dim-Trim using the ERP Tunable White iOS app or the TWM Programming Tool. Option to set Dim-Trim and/or to enable Dim-to-Off using the ERP Tunable White iOS app or the TWM Programming Tool*.
TRIAC			
ELV			
BLUETOOTH LE (ERP Tunable White iOS app)	100-1%	1800-6500 K	<p>Use for commissioning, not for control.</p> <ol style="list-style-type: none"> Adjust maximum output level (set Dim-Trim between 100% and 40%). Enable Dim-to-Off. Customize the CCT range for Tunable White mode. "Set and forget" the CCT for Selectable White Mode. Select between Halogen and Incandescent profiles in Warm Dim Mode.
TWM Programming Tool	-	-	<ol style="list-style-type: none"> Adjust the maximum output level (set Dim-Trim) - FULL, 80%, 60%, 40%. Enable Dim-To-Off. Disable Bluetooth capability on equipped models. Set to one of 12 selectable CCT points for Selectable White Mode. Select between Halogen and Incandescent profiles in Warm Dim Mode.

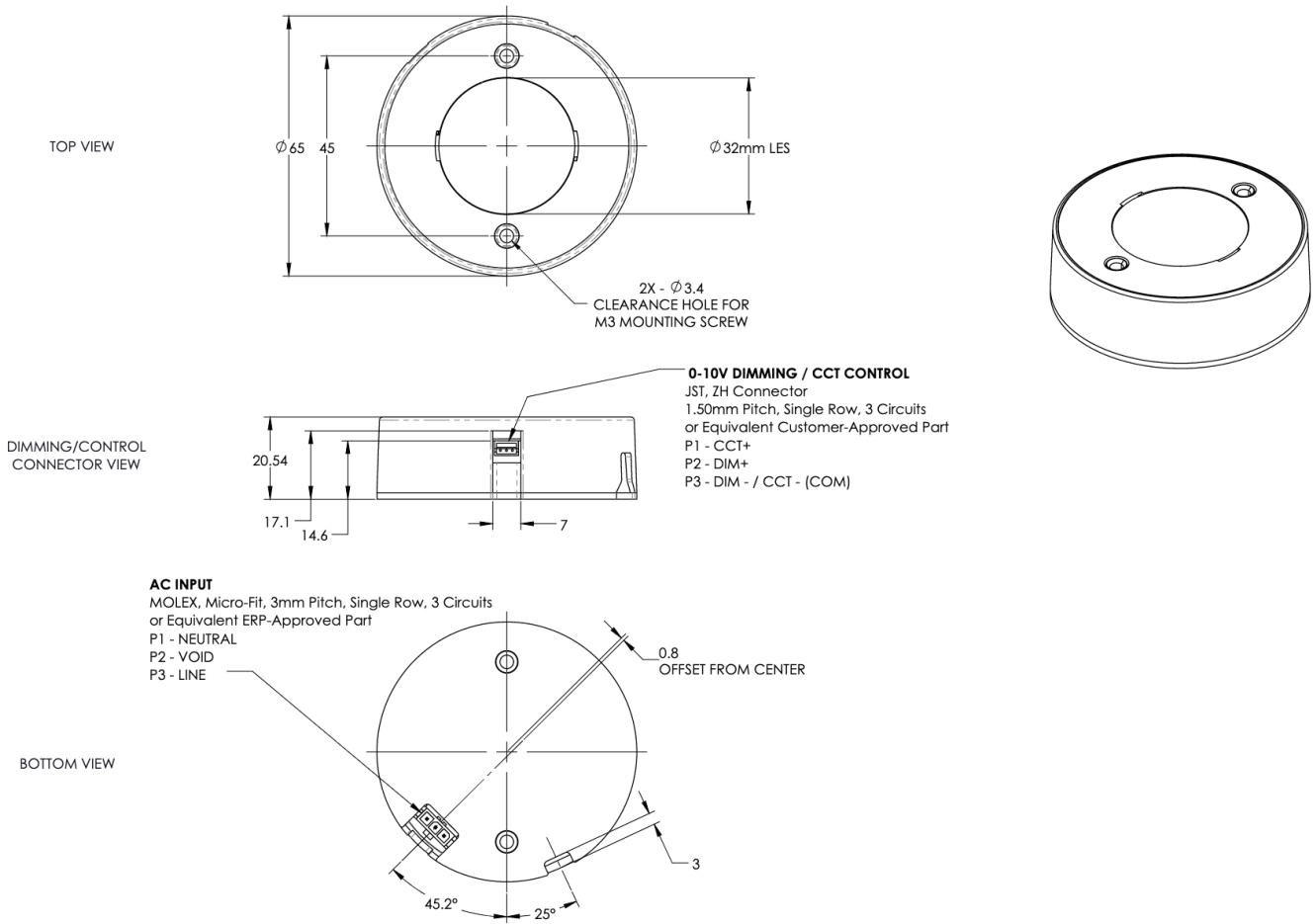
* Dim-to-Off is only available with 0-10 V operation.

Universal AC Input Tunable White LED Modules with Tri-Mode Dimming™ (TRIAC, ELV & 0-10 V)

3 - MECHANICAL SPECIFICATIONS

Specification	Notes	
Dimensions	Diameter:	65 mm (nominal 2.56 in)
	Height:	20.54 mm (nominal 0.81 in)
Light Emitting Surface (LES)	32 mm (nominal 1.26 in)	
TWM2 Weight	45 g (1.6 oz)	
Heat Sink Attachment	Front-mount, countersunk, M3 x 25 mm	
Max Case Temperature (T _c)	≤ 90 °C	

Note: See next section for details on the cable assemblies for TWM2.



Note: All dimensions are in millimeters.

Universal AC Input Tunable White LED Modules with Tri-Mode Dimming™ (TRIAC, ELV & 0-10 V)

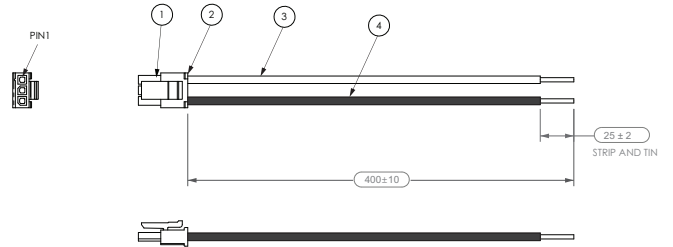
4 - CABLE ASSEMBLIES

4.1 2-Wire AC Input Power Cable Assemblies for TWM2

For North America

Part Number: AC-TWM2-NA
Length: 400 mm (nominal 16 in.)

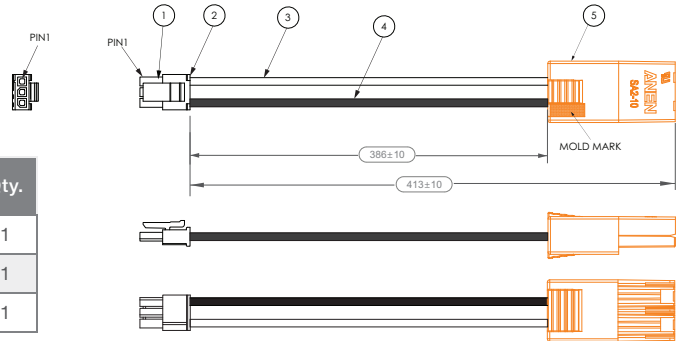
Item No.	Part No.	Wire Description	Wire Color	Input	Qty.
3	UL 1430	Wire Stranded Tinned 18 AWG (Pin-1)	White	Neutral	1
4	UL 1430	Wire Stranded Tinned 18 AWG (Pin-3)	Black	Line	1



For North America, with Quick Disconnect

Part Number: AC-TWM2-NAQD
Length: 413 mm (nominal 16.25 in.)

Item No.	Part No.	Description	Color	Input	Qty.
3	UL 1430	Wire Stranded Tinned 18 AWG (Pin-1)	White	Neutral	1
4	UL 1430	Wire Stranded Tinned 18 AWG (Pin-3)	Black	Line	1
5	SA2-10, SINGLE	NBC ELECTRONIC 2-Pin Connector	Orange	N/A	1



General Specifications for Power Cable Assemblies

Item No.	Part No.	Manufacturer	Description	Quantity
1	3016H-1*03	ECI	Connector 3-Pin	1
2	3016P-L	ECI	Connector Crimp	2

Note: All dimensions are in millimeters.

Universal AC Input Tunable White LED Modules with Tri-Mode Dimming™ (TRIAC, ELV & 0-10 V)

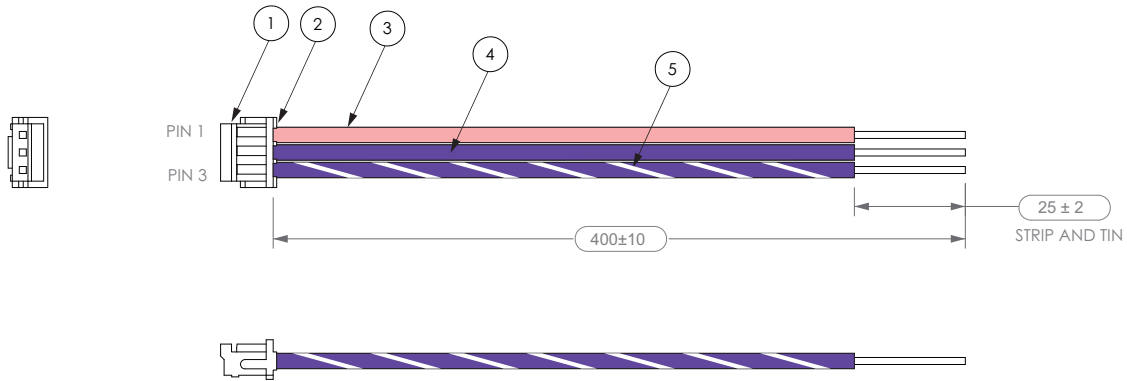
4 - CABLE ASSEMBLIES

4.2 3-wire DC Output Control Cable Assembly for TWM2

For North America

Part Number: DC-TWM2-NA

Length: 400 mm (nominal 16 in.)



Item Number	Part Number	Manufacturer	Description	Input	Quantity
1	SCD1502AZ-103032	Foxeco	Connector 3-Pin	N/A	1
2	SCD1502AZ-000000	Foxeco	Connector Crimp	N/A	3
3	UL 1061	Any	Wire Stranded Tinned 24 AWG Pink (Pin 1)	Dim (-) / CCT (-) Common	1
4	UL 1061	Any	Wire Stranded Tinned 24 AWG Violet (Pin 2)	Dim (+)	1
5	UL 1061	Any	Wire Stranded Tinned 24 AWG Violet with White Spiral (Pin 3)	CCT (+)	1

Note: All dimensions are in millimeters.

Universal AC Input Tunable White LED Modules with Tri-Mode Dimming™ (TRIAC, ELV & 0-10 V)

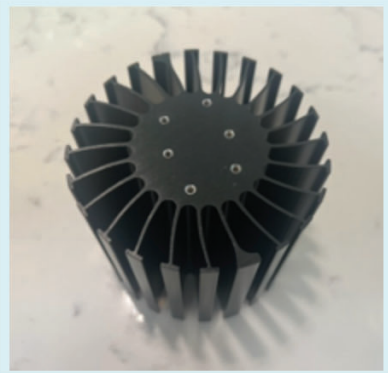
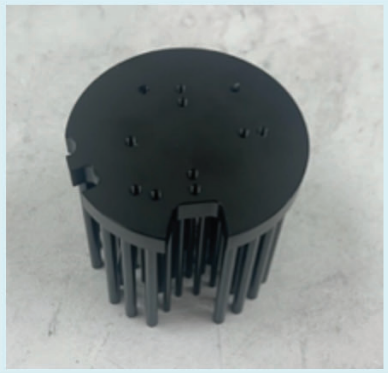
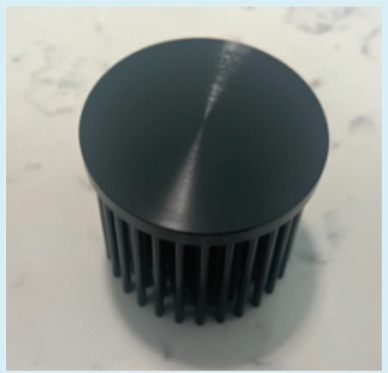
5 - HEAT SINKING RECOMMENDATIONS

The AC Input Tunable White LED Module (TWM2) requires an external heat sink in order to ensure proper operating temperature of the LEDs. The TWM has a conductive aluminum base and an efficient thermal path to the LED array. These features promote efficient thermal management and allow for a simple heat sink design in most applications. Below are several available heat sinks showing substrate temperature at different Lumen outputs. The below list is not exhaustive, and serves as a list of recommendations.

The light engine is designed to be installed in a variety of lighting fixtures (Conduction from the TWM2 to the heatsink and then Convection to ambient air). Solid contact between the base of the light engine and the heat sink is important, as well as a thermally conductive material of at least 10 W/(m²K) for full output operation to ensure efficient transfer of heat. For reliability qualification, an extruded heat sink was used for internal testing.

In many fixtures, the air flow to the heat sinks is obstructed or the heat sink is in an enclosed container with no path to reject heat. The thermal design of the fixture must be optimized, so that the case temperature (T_c) measured at the base of the engine remains at its recommended temperature.

IMPORTANT: Most heat sinks are qualified in “free air” at an approximate ambient temperature of 25 °C. If the TWM is installed in an insulated can fixture (IC Can), the light engine may exceed the recommended operating temperature. The heat sink must be evaluated and temperature tested in the fixture at applicable ambient temperatures for the desired application.

Manufacturer	Mechatronix	Mechatronix	Mechatronix
Model	GH36D 9980-B	LPF67A68-8-B	LPF70A50-5-B
			
	GH36D 9980-B, 120 Vac, Rev. X04, 4000K CCT	LPF67A68-8-B, 120 Vac, Rev. X04, 4000K CCT	LPF70A50-5-B, 120 Vac, Rev. X04, 4000K CCT
Light Engine Output (Lumen)	Ts at Ta of 40 °C		Ts at Ta of 40 °C
850			
1000			69.1
1250			74.5
1500		72.8	79.9
2000		82.5	91.5
2500 (Max)	64.9	85.3	97.4

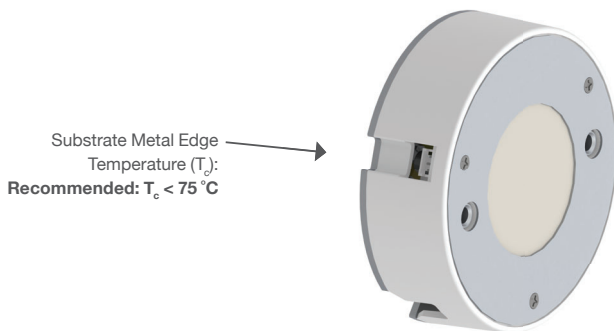
Universal AC Input Tunable White LED Modules with Tri-Mode Dimming™ (TRIAC, ELV & 0-10 V)

6 - TEMPERATURE MEASUREMENT POINTS

The thermal management characteristics of the heat sink used with the TWM should be validated by measuring its **case temperature (T_c)**. This test should be done with the TWM installed in the fixture at ambient temperature and air flow conditions similar to the end-use installation. It is recommended that the thermal management system be designed for a $T_c < 75\text{ }^\circ\text{C}$.

TWM has on-board over temperature protection (OTP) which will throttle the currents to the LED arrays starting at $85\text{ }^\circ\text{C}$ (T_c). The CCT at which the unit is operating will be maintained in this mode, but the output lumens will drop. This ensures that the LEDs are not subjected to abnormal temperatures.

On BLE (Premium) equipped units, the **substrate temperature (T_s)** is reported on the ERP Tunable White iOS app, and can be used during the fixture design stage to verify proper heat sinking and/or to optimize the design of the thermal management system. This will give the most reliable measurement of the LED temperature. The T_s reading should be made after the unit has reached steady state, where the temperature levels out.



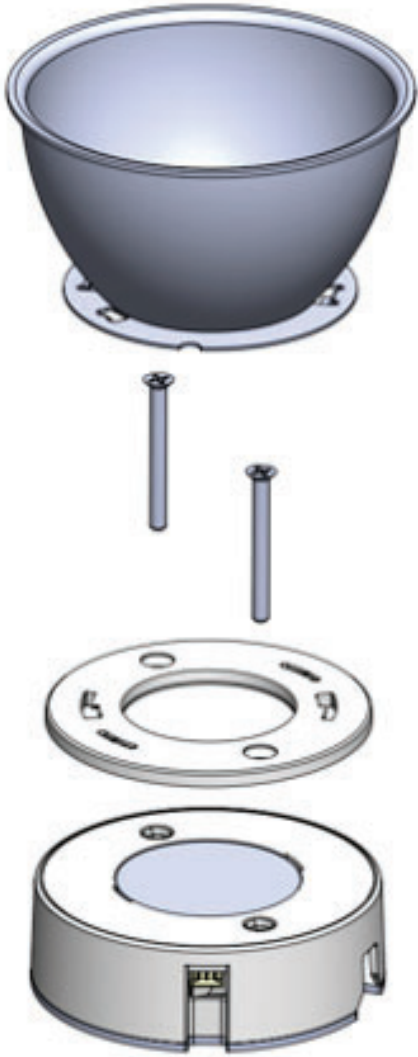
Case Temperature (T_c) Measurement Point

Note: The T_c is measured at the base of the engine.
BLE units report the temperature of the T_c .

Note: All dimensions are in millimeters.

Universal AC Input Tunable White LED Modules with Tri-Mode Dimming™ (TRIAC, ELV & 0-10 V)

7 - ATTACHING COMPATIBLE TWM2 REFLECTORS (AN EXAMPLE)



NATA REFLECTOR (2-1567-M)
CUSTOM TWM2 PLASTIC CONNECTOR



LEDIL REFLECTOR (F13325)
CUSTOM TWM2 PLASTIC CONNECTOR

Note: All dimensions are in millimeters.

Universal AC Input Tunable White LED Modules with Tri-Mode Dimming™ (TRIAC, ELV & 0-10 V)

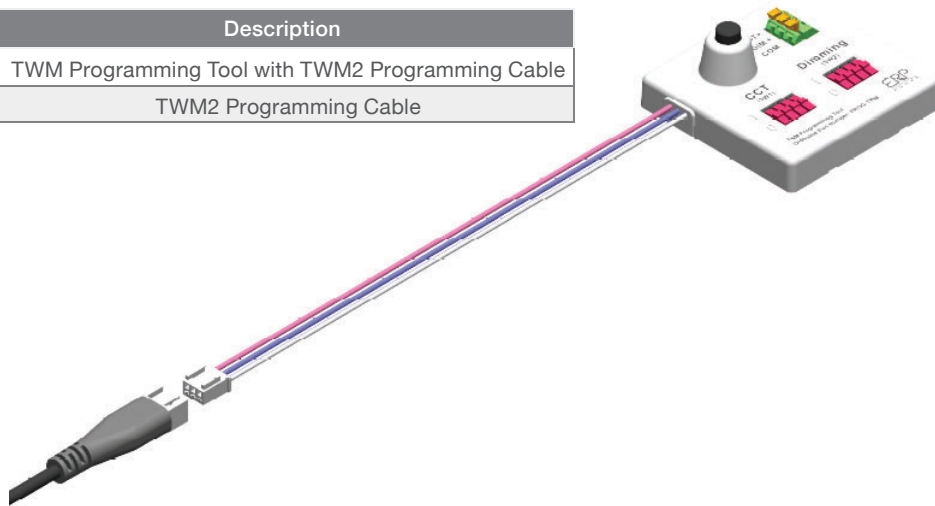
8 - TWM CONFIGURATION TOOLS

8.1 TWM Programming Tool - Description

The 'TWM Programming Tool' has the capability to configure any static CCT point from twelve pre-programmed CCT selections and two Warm Dim profiles. The TWM Programming Tool also allows installers to set the maximum light output limits to FULL, 80%, 60%, or 40% by setting a Dim-Trim, while enabling a Dim-to-Off capability and/or disabling Bluetooth LE on Premium models.

The TWM Programmer has two 4-position DIP switches, one for CCT selection and the other allowing the user to disable BLE, to enable Dim-to-Off capability, and to set a Dim-Trim. The DIP switch settings are ON position for '1' and OFF position for '0', and the value is set as a 4-bit binary code. All possible settings and corresponding switch positions are listed below.

Part Number	Description
PROG-TWM2	TWM Programming Tool with TWM2 Programming Cable
PROG-TWM2-CBL	TWM2 Programming Cable



CCT DIP Switch (SW1) Selections		0 = OFF, 1 = ON			
0	FACTORY DEFAULT	0	0	0	0
1	NOT USED	0	0	0	1
2	CCT Fixed, 1800 K	0	0	1	0
3	CCT Fixed, 2000 K	0	0	1	1
4	CCT Fixed, 2200 K	0	1	0	0
5	CCT Fixed, 2500 K	0	1	0	1
6	CCT Fixed, 2700 K	0	1	1	0
7	CCT Fixed, 3000 K	0	1	1	1
8	CCT Fixed, 3500 K	1	0	0	0
9	CCT Fixed, 4000 K	1	0	0	1
10	CCT Fixed, 4500 K	1	0	1	0
11	CCT Fixed, 5000 K	1	0	1	1
12	CCT Fixed, 5700 K	1	1	0	0
13	CCT Fixed, 6500 K	1	1	0	1
14	Warm Dim, 2700–1800 K (Incandescent Profile)	1	1	1	0
15	Warm Dim, 3050–1800 K (Halogen Profile)	1	1	1	1

Dimming DIP Switch (SW2) Selections				0 = OFF, 1 = ON				
Dim-Trim		BLE Status	Dim-to-Off					
0	Full Output			0	0	0	0	
1	80%			0	0	0	1	
2	60%			0	0	1	0	
3	40%			0	0	1	1	
4	Full Output		Dim-to-Off Enabled	0	1	0	0	
5	80%			0	1	0	1	
6	60%			0	1	1	0	
7	40%			0	1	1	1	
8	Full Output	BLE Disabled		1	0	0	0	
9	80%			1	0	0	1	
10	60%			1	0	1	0	
11	40%			1	0	1	1	
12	Full Output	BLE Disabled	Dim-to-Off Enabled	1	1	0	0	
13	80%				1	1	0	1
14	60%				1	1	1	0
15	40%				1	1	1	1

Universal AC Input Tunable White LED Modules with Tri-Mode Dimming™ (TRIAC, ELV & 0-10 V)

8 - TWM CONFIGURATION TOOLS

8.2 TWM Programming Tool - Usage Instructions

Setting up the TWM Programming Tool (THIS ONLY NEEDS TO BE DONE ONCE):

- STEP 1.** On the 4-position DIP switch marked 'CCT (SW1)', set the ON/OFF switch combination according to one of fifteen (15) profiles listed in the "CCT DIP Switch (SW1) Selections" table on the previous page. If all the DIP switches have been set to OFF (0), the factory default will be programmed.
- STEP 2.** On the other 4-position DIP switch marked as 'Dimming (SW2)', set the lumen output limit by setting Dim-Trim at 100%, 80%, 60%, or 40%. Depending on whether Bluetooth should be disabled or if Dim-to-Off capability is needed, select from one of sixteen (16) ON/OFF switch combinations according to the "Dimming DIP Switch (SW2) Selections" table on the previous page. If all the DIP switches have been set to OFF (0), the factory default will be used, which is at full output with BLE enabled and without Dim-to-Off capability."

EXAMPLE: Fixed CCT at 3000K with Dim-Trim at 80% (2000 lm), BLE disabled, and Dim-to-Off enabled:

STEP 1. Set the CCT Selector DIP switch to #7 [0,1,1,1].

STEP 2. Set the DIMMING Selector DIP switch to #13 [1,1,0,1].

Programming Each TWM Light Engine (ONCE THE PROGRAMMING TOOL IS SET):

- STEP 1.** Remove TRIAC dimmer, if attached.
- STEP 2.** Power up (AC) a TWM light engine.
- STEP 3.** Connect the TWM Programming Tool to TWM2 (via the provided connector).
- STEP 4.** Press the commissioning button 3 times (fairly quickly in a 1.5-second timeframe).
- STEP 5.** TWM will flash 3 times in blue (indicating the program), and then TWM will be at the desired CCT and Dim-Trim.
- STEP 6.** Remove the Programming Tool from the TWM light engine within 10 seconds*.

GENERAL NOTES:

* For 10 seconds after programming is acknowledged, the unit will ignore the signals on 0–10 V Dim and CCT lines; this gives the user enough time to unplug the programmer. Not removing the Programmer in time will shift or change to the voltages that the dip switches correspond to.

After the programming is completed, the user can then connect 0–10 V dimmers without needing to power cycle the programmed unit. The TWM engine will follow commands from the connected 0–10 V sliders. The programmed CCT value is retained. Note that connecting the 0-10 V CCT dimmer forces the TWM2 into tunable white mode, as activity on the 0-10 V CCT line supercedes other commands. Once the CCT 0–10 V slider is removed and the unit is power cycled, it will resume the programmed CCT one second after startup.

As long as the Bluetooth commissioning capability was not "disabled", the ERP Tunable White iOS app is capable of overriding the programmed setpoint.

'Dim-to-Off' capability is only available using 0–10 V dimmer control.

Universal AC Input Tunable White LED Modules with Tri-Mode Dimming™ (TRIAC, ELV & 0-10 V)

9 - THREE MODES OF OPERATION

CCT MODES	Static (Selectable CCT)	Tunable White	Warm Dim
Selectable CCTs/Ranges	1800K, 2000K, 2200K, 2500K, 2700K, 3000K, 3500K, 4000K, 4500K, 5000K, 5700K, 6500K	1800K – 6500K	3050K – 1800K (Halogen) 2700K – 1800K (Incandescet)
Default CCT/Range	3000K	1800K – 6500K	3050K – 1800K
Light Intensity Control/Dim	0-10V or TRIAC	0-10V or TRIAC	0-10V or TRIAC
Mode Control with CCT 0-10V Wires	Open: Fixed CCTs Selected "Set and Forget"	Connected to CCT 0-10V: Dimmer or Circadian Rhythm Controler Tunes CCT	Shorted Together: Intensity Dimmer Also Changes CCT

Universal AC Input Tunable White LED Modules with Tri-Mode Dimming™ (TRIAC, ELV & 0-10 V)

9 - THREE MODES OF OPERATION

9.1 Summary

	MODES OF OPERATION SUMMARY		
	CCT Range and Presets	Controllability	Options for Setting CCT
TUNABLE WHITE	1800–6000 K	Two independent 0–10 V controllers for DIM and CCT.	<ul style="list-style-type: none"> • Customize the CCT range via the ERP Tunable White iOS app by setting CCT-Trims.
SELECTABLE WHITE	3000 K (Factory Default) 1800 K, 2000 K, 2200 K, 2500 K, 2700 K, 3500 K, 4000 K, 4500 K, 5000 K, 5700 K	Only use DIM control (0–10 V, TRIAC, or ELV),	<ul style="list-style-type: none"> • OPTION-1: Commission via ERP Tunable White iOS app, to "set and forget" to any CCT within full tunable range. • OPTION-2: Select from one of twelve (12) pre-loaded ANSI CCT points on the TWM Programming Tool.
WARM DIM	<ul style="list-style-type: none"> • 3050–1800 K MR16 Halogen profile (Default) • 2700–1800 K Incandescent Profile 	Only use DIM control (0–10 V, TRIAC, or ELV).	<ul style="list-style-type: none"> • OPTION-1: Commission via ERP Tunable White iOS app, to "set and forget" to one of two Warm Dim profiles. (The CCT control DC output lines do not need to be shorted.) • OPTION-2: Select from one of two Warm Dim profiles on the TWM Programming Tool. (The CCT control DC output lines do not need to be shorted.) • OPTION-3: Short the CCT DC output lines on control cables. The Warm Dim profile selected in Option-1 or Option-2 will be used if the default profile is changed.

You may further customize by using the ERP Tunable White iOS app or by using the TWM Programming Tool to:

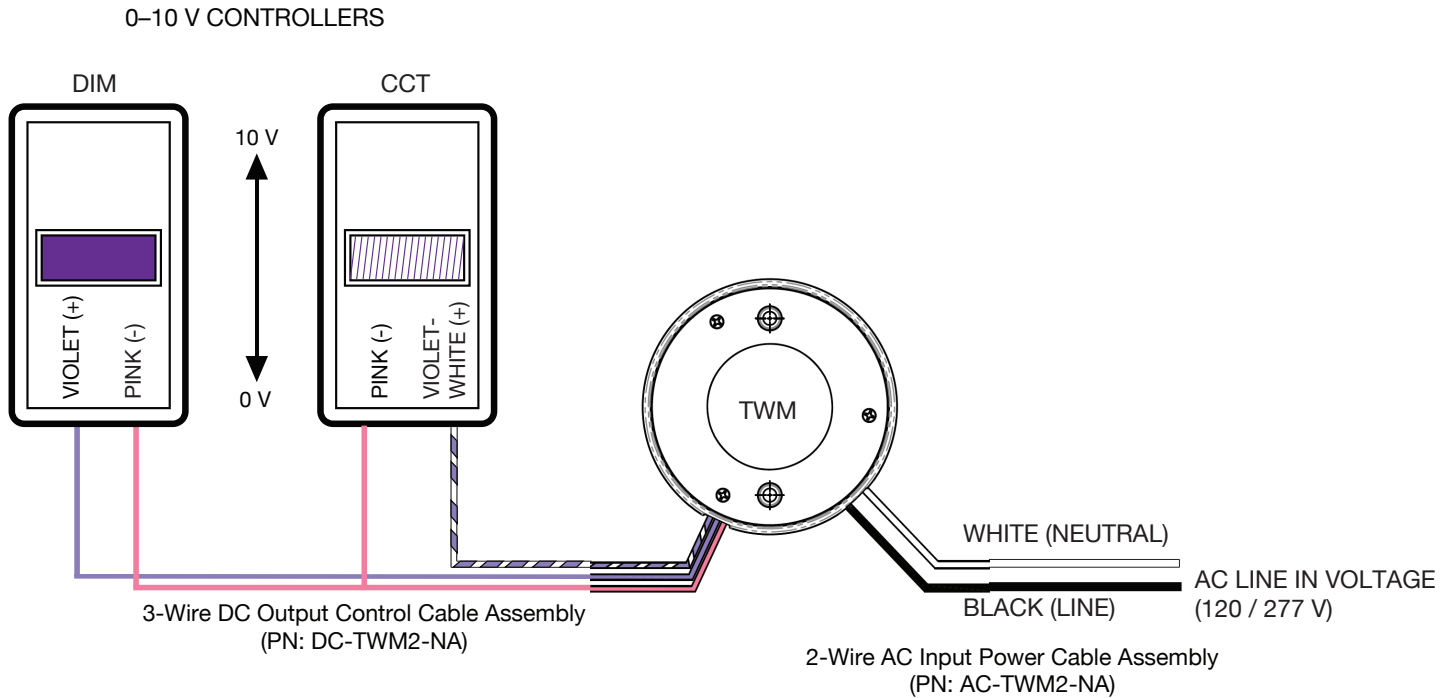
- Set Dim-Trim
- Enable 'Dim-to-Off'
- Disable BLE on Premium models

Universal AC Input Tunable White LED Modules with Tri-Mode Dimming™ (TRIAC, ELV & 0-10 V)

9 - THREE MODES OF OPERATION

9.2 Tunable White Mode - Wiring Diagram

1. In Tunable White mode, two dimmers are needed. We recommend using two separate 0–10 V dimmers.



Universal AC Input Tunable White LED Modules with Tri-Mode Dimming™ (TRIAC, ELV & 0-10 V)

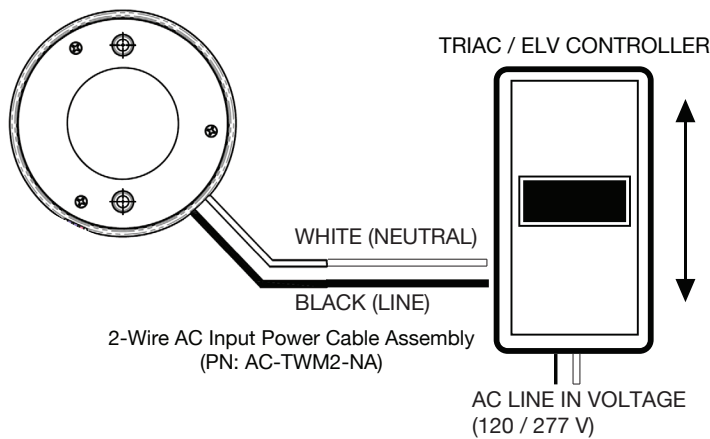
9 - THREE MODES OF OPERATION

9.3 Selectable White Mode (Static Mode) - Wiring Diagrams

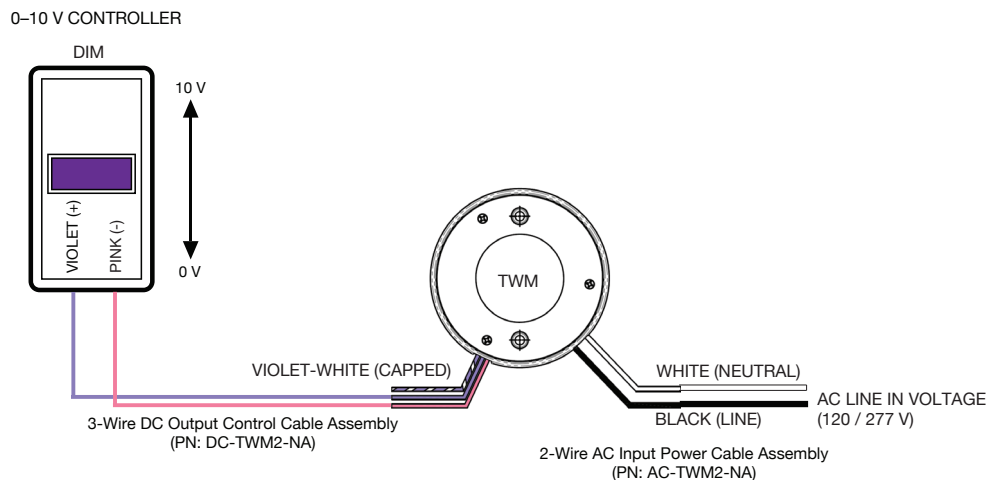
In Selectable White mode, any one of the following 0–10 V, TRIAC, or ELV Dimmer options can be used.

- OPTION 1. Connect a selectable CCT Plug to the CCT DC output control wire.
- OPTION 2. Use the TWM Programming Tool or the ERP Tunable White iOS app to set and forget the CCT point. Cap off the CCT+ (Violet-White) DC output control wire to prevent accidental shorting, if not being used.

TRIAC DIMMER:



0–10 V DIMMER:



Universal AC Input Tunable White LED Modules with Tri-Mode Dimming™ (TRIAC, ELV & 0-10 V)

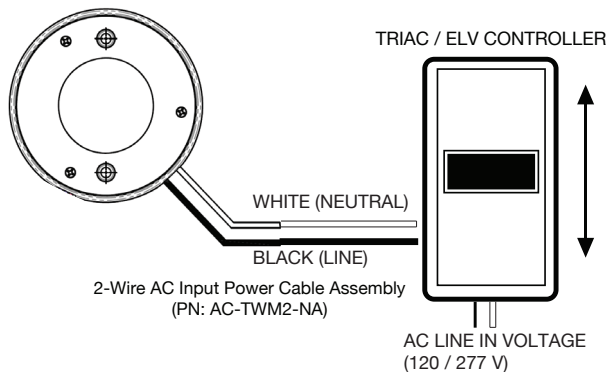
9 - THREE MODES OF OPERATION

9.4 Warm Dim Mode - Wiring Diagrams

1. In Warm Dim mode, any one of the following 0–10 V, TRIAC, or ELV dimmer options can be used.

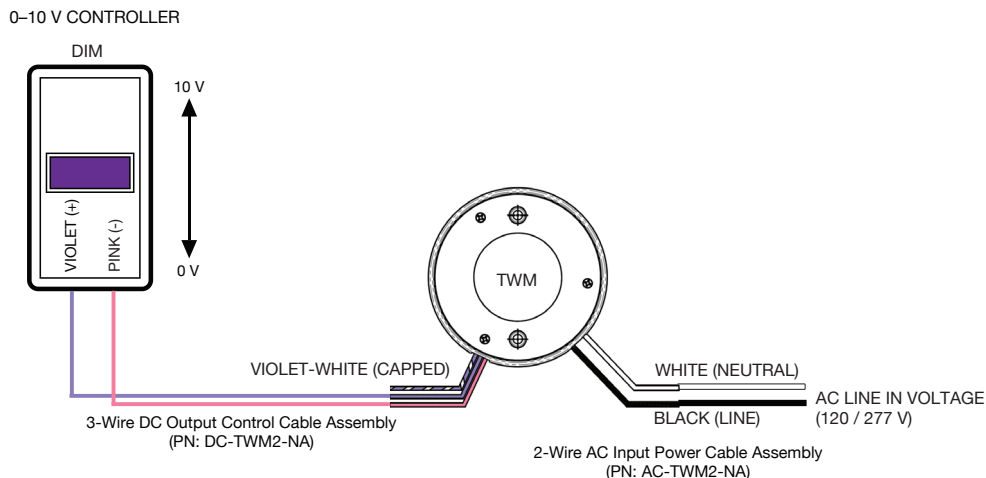
- OPTION 1. Short CCT+ (Violet-White) and Common (Pink) DC output control wires to engage Warm Dim mode. The Warm Dim profile selected from the TWM Programming Tool or the BLE app will be used.
- OPTION 2. Set to one of two (2) Warm Dim profiles from the TWM Programming Tool; the DC output control wires do not need to be shorted.
- OPTION 3. Connect a Warm Dim plug to the CCT control wire to engage Warm Dim mode. The Warm Dim profile selected from the TWM Programming Tool or the ERP TWM iOS app will be used.
- OPTION 4. Set to one of two (2) Warm Dim profiles from the BLE app; the DC output control wires do not need to be shorted.

TRIAC DIMMER:



0–10 V DIMMER:

Terminate CCT+ (Violet-White) 0–10 V control wires on the control cable assembly on TWM2.



Universal AC Input Tunable White LED Modules with Tri-Mode Dimming™ (TRIAC, ELV & 0-10 V)

10 - DIMMING CONTROL

The TWM operates only with 0–10 V dimmers that sink current. Developed in the 1980’s, the 0–10 V sinking current control method is adopted by the International Electrotechnical Commission (IEC) as part of its IEC Standard 60929 Annex E.

10.1 Dimming Control via 0–10 V Dimmer

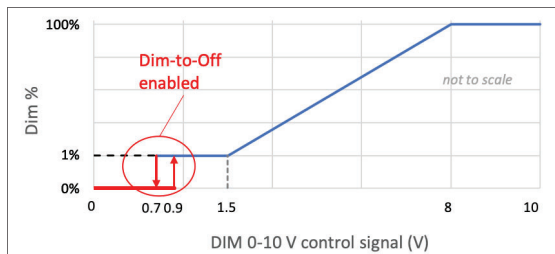
The method to dim the output current of the TWM can be done via the +Dim (Violet) and -Dim (Pink) signal pins, delivering 100% to 1% of the output.

If the +Dim input is > 8 V or open circuited, the output is programmed to 100% of the rated lumens or to the maximum lumen output level trimmed by the Dim-Trim. The trim values can be set by the TWM Programming Tool (P/N: PROG-TWM2) or via the ERP Tunable White iOS app..

When +Dim input is below 1.5 V, the output is fixed to 1% of the maximum lumens, unless Dim-to-Off is enabled. If Dim-to-Off is enabled through the TWM Programming Tool or via the ERP Tunable White iOS app, the light will turn off when the +Dim input becomes below 0.7 V. As the unit detects +Dim input above 0.9 V, the light will be back to 1% of the maximum set lumens. When not used, the +Dim (purple) wire should be individually capped to prevent accidental shorting.

The maximum source current (flowing from the driver to the 0–10 V dimmer) supplied by the +Dim signal pin is ≤ 150 uA. The tolerance of the output current while being dimmed shall be +/-8% typical until down to 1.5 V.

0–10 V Dimming Protocol



Compatible 0–10 V Dimmers for DIM Control

Manufacturer	Series	Part Number
Lutron	Nova	NFTV
Lutron	Diva	DVTV
Lutron	Diva	DVSTV
Leviton	Illumatech	1P710-DL

Universal AC Input Tunable White LED Modules with Tri-Mode Dimming™ (TRIAC, ELV & 0-10 V)

10 - DIMMING CONTROL

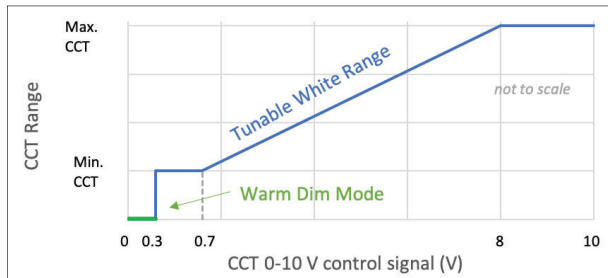
10.2 CCT Control via 0–10 V Dimmer

The method to control the CCT is done via the +CCT (Violet-White) and -Dim (Pink) signal pins. The -DIM and -CCT share the same common. Using the ERP Tunable White iOS app, a user can define the tunable CCT range by specifying a maximum and a minimum CCT. Adjust the 0–10 V CCT dimmer DC inputs to be between 0.6 V and 9 V.

If the CCT input is > 8 V or open circuited, the output is at the maximum CCT. The CCT linearly reduces until 0.7 V and remains at the same CCT value until 0.3 V. Below 0.3 V, the TWM will switch to Warm Dim mode. To exit Warm Dim mode, the CCT dimmer voltage must be raised to at least 0.6 V. We recommend using a linear 0–10 V controller between 0.7 V and 8 V for the best result.

When not used, the +CCT (Violet-White) should be individually capped to prevent accidental shorting.

0–10 V CCT Protocol



Compatible 0–10 V Dimmers for CCT Control

Manufacturer	Series	Part Number
Lutron	Diva	DVSTV

Universal AC Input Tunable White LED Modules with Tri-Mode Dimming™ (TRIAC, ELV & 0-10 V)

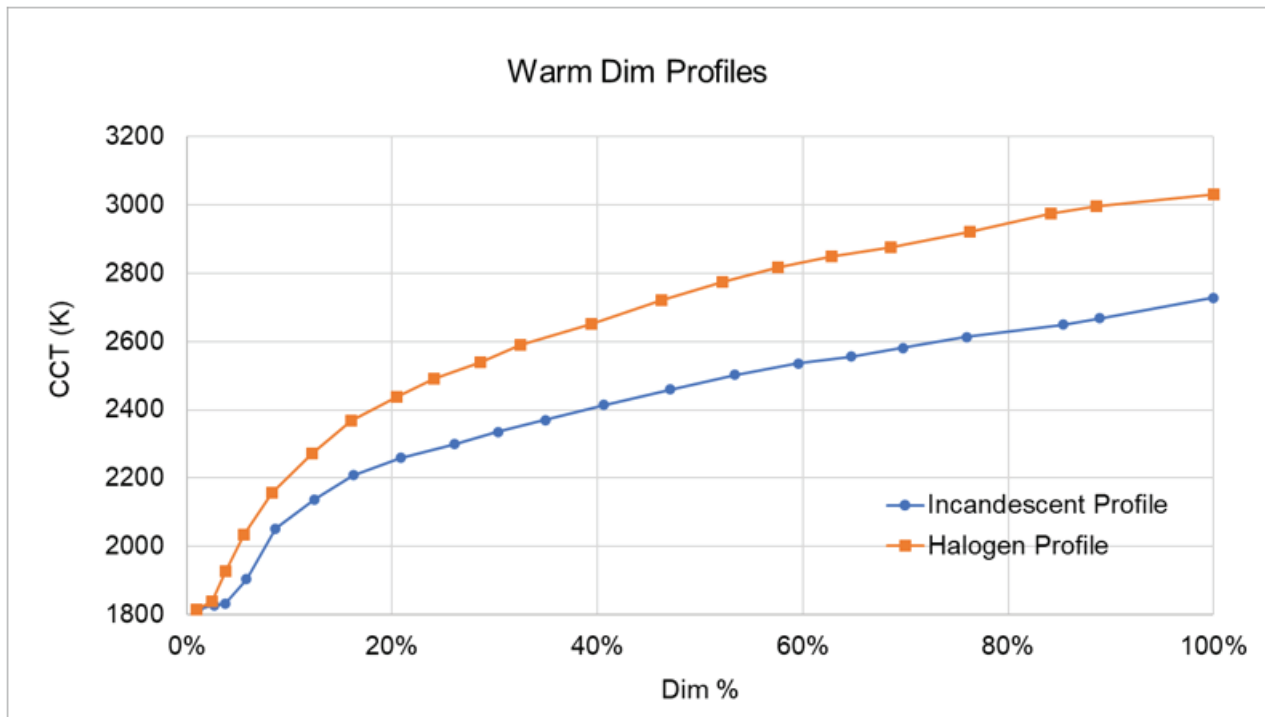
10 - DIMMING CONTROL

10.3 Warm Dim Profiles

Warm Dim is a profile that mimics the dynamic dimming characteristics of conventional incandescent lamps where dimming the intensity of the lamp lowers its CCT. The TWM offers both MR16 Halogen (3050–1800 K) and Incandescent (2700–1800 K) dimming profiles. The MR16 Halogen dimming profile is selected as the factory default. The dimming profile (either halogen or incandescent) can only be selected via the TWM Programming Tool or the ERP Tunable White iOS app.

TWM operates in a Warm Dim mode when the CCT+ (Violet-White) wire is shorted to the Common (Pink) wire on the DC output control cable. This is equivalent to the CCT 0–10 V input being below 0.3 V (see Section 10.2). Alternatively, even without shorting the control wires, both Warm Dim profiles can be deployed via the TWM Programming Tool (see Section 8) or by using the ERP Tunable White iOS app.

Warm Dimming is solely controlled by a 0–10 V dimmer or a TRIAC/ELV dimmer. If not in use, the +CCT (Violet-White) wire should be capped off.



Compatible Warm Dim TRIAC/ELV dimmers

Manufacturer	Model
Lutron	MACL-153M
Lutron	RRD-10ND
Lutron	MRF2S-6CL
Lutron	RRD-6NA
Lutron	PD-5NE
Lutron	MAELV600
Leviton	VPE06

Universal AC Input Tunable White LED Modules with Tri-Mode Dimming™ (TRIAC, ELV & 0-10 V)

10 - DIMMING CONTROL

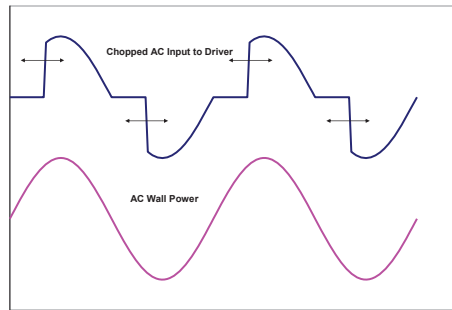
10.4 TRIAC/ELV Dimming Protocol

When TWM light engines are coupled with an approved TRIAC/ELV-based phase-cut dimmer, the main processor is used to control dimming status as a function of the TRIAC/ELV conduction angles. Data on the TRIAC/ELV conduction angle is supplied to the processor, which then determines appropriate actions to ensure smooth and flicker-free dimming while maintaining color accuracy across the dimming range of the driver for all CCT set points (including Warm Dim). Both leading edge and trailing edge TRIAC/ELV dimmers can be used with tight control of the minimum and maximum lumens.

The CCT can still be controlled independently by using a 0–10 V controller or by Bluetooth commissioning via the ERP Tunable White iOS app. 100% to 1% output can be attained when using an approved TRIAC/ELV phase-cut dimmer. Maximum programmed output (100%) is reached when the phase-cut dimmer is conducting for at least 140°. Minimum programmed output (1%) is reached when the phase-cut dimmer is conducting for 45° or less.

The minimum conduction angle necessary (to ensure that the TWM light engine will always turn on and start up) is 45°.

NOTE: Changes to the 0–10 V CCT control are ignored while actively moving the TRIAC/ELV dimmer slider up and down. 0–10 V CCT control is resumed once the TRIAC/ELV dimmer has stabilized.



Compatible TRIAC/ELV dimmers

Manufacturer	Model
Lutron	MACL-153M
Lutron	RRD-10ND
Lutron	MRF2S-6CL
Lutron	SCL-153P
Lutron	DVCL-153P
Lutron	DVCL-253P
Lutron	TGCL-153P
Lutron	SF-10P
Lutron	LGCL-153P
Lutron	RRD-6NA
Lutron	PD-5NE
Lutron	MAELV600
Lutron	NTELV-600

Manufacturer	Model
Leviton	IPL06-ILZ
Leviton	VPI06
Leviton	IPE04
Leviton	VPE06

Universal AC Input Tunable White LED Modules with Tri-Mode Dimming™ (TRIAC, ELV & 0-10 V)

USA Headquarters

Tel: +1-805-517-1300
Fax: +1-805-517-1411
2625 Townsgate Rd, Suite 106
Westlake Village, CA 91361z, USA

CHINA Operations

Tel: +86-756-6266298
Fax: +86-756-6266299
No. 8 Pingdong Road 2
Zhuhai, Guangdong, China 519060

ERP Power, LLC (ERP) reserves the right to make changes without further notice to any products herein. ERP makes no warranty, representation or guarantee regarding the suitability of its products for any particular purpose, nor does ERP assume any liability arising out of the application or use of any product or circuit, and specifically disclaims any and all liability, including without limitation special, consequential or incidental damages. "Typical" parameters which may be provided in ERP data sheets and/or specifications can and do vary in different applications and actual performance may vary over time. All operating parameters, including "Typicals" must be validated for each customer application by customer's technical experts. ERP does not convey any license under its patent rights nor the rights of others. ERP products are not designed, intended, or authorized for use as components in systems intended for surgical implant into the body, or other applications intended to support or sustain life, or for any other application in which the failure of the ERP product could create a situation where personal injury or death may occur. Should Buyer purchase or use ERP products for any such unintended or unauthorized application, Buyer shall indemnify and hold ERP and its officers, employees, subsidiaries, affiliates, and distributors harmless against all claims, costs, damages, and expenses, and reasonable attorney fees arising out of, directly or indirectly, any claim of personal injury or death associated with such unintended or unauthorized use, even if such claim alleges that ERP was negligent regarding the design or manufacture of the part. ERP is an Equal Opportunity/Affirmative Action Employer. This literature is subject to all applicable copyright laws and is not for resale in any manner.